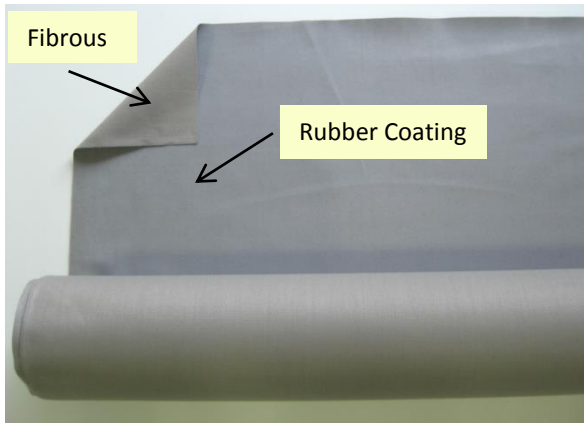


# Electromesh sheet

Corona discharge cloth with conductive discharge element made of stainless fiber and synthetic fiber

Electromesh series that reduces and eliminates various static electricity problems at



## Electro mesh EST-S10-2

Coated with one-sided conductive rubber

Make into a goodwill shape and touch with charged objects.  
( Sales unit 1m width x 0.3mm thickness x 1m to 20m length )



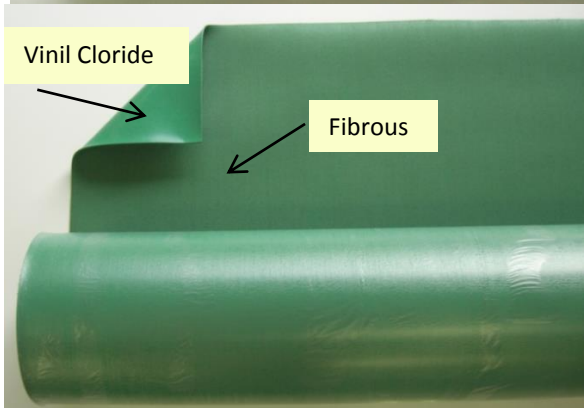
## Electro mesh EST-S10-2ND

Conductive rubber coated on both front and back

**Prevents dust generation!**

Effective for food containers, semiconductors, micro parts, and many other situations that require cleanliness in consideration of dust generation

(Sales unit 1m width x 0.4mm thickness x 1m-20m length)



## Electro mesh EST-SP10

Used on a work table or as a foot mat to prevent human body charging

( Sales unit 1m width x 1.0mm thickness x 1m to 20m length )

### Daihyaku Co.,Ltd.

Tel +81-3-6853-5801 fax +81-3-6985-5804  
104-0061  
2-12-3 Ginza Chuo-ku Tokyo Japan  
URL : <http://www.daihyaku.co.jp/>  
Email : [info@daihyaku.co.jp](mailto:info@daihyaku.co.jp)

### Ask to

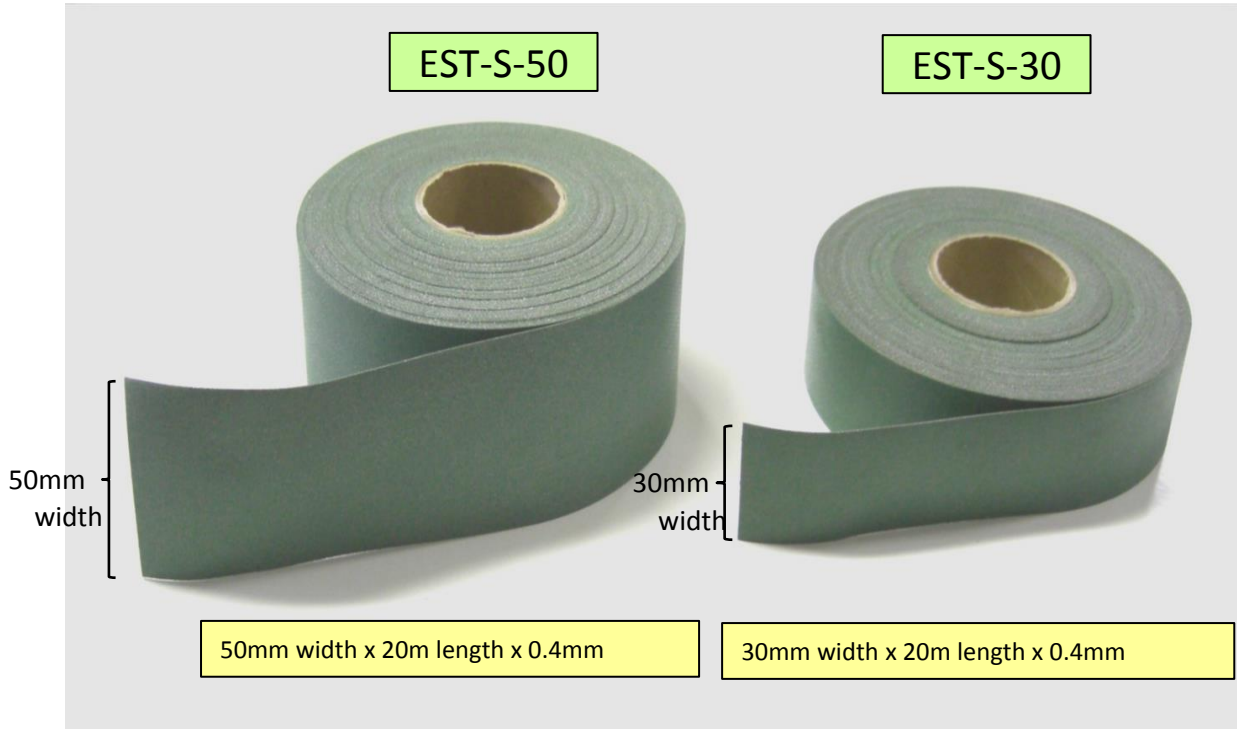
**Note: The effect of static elimination depends on the material It also depends on the environment.**

Static electricity removal / prevention

# Electromesh tape

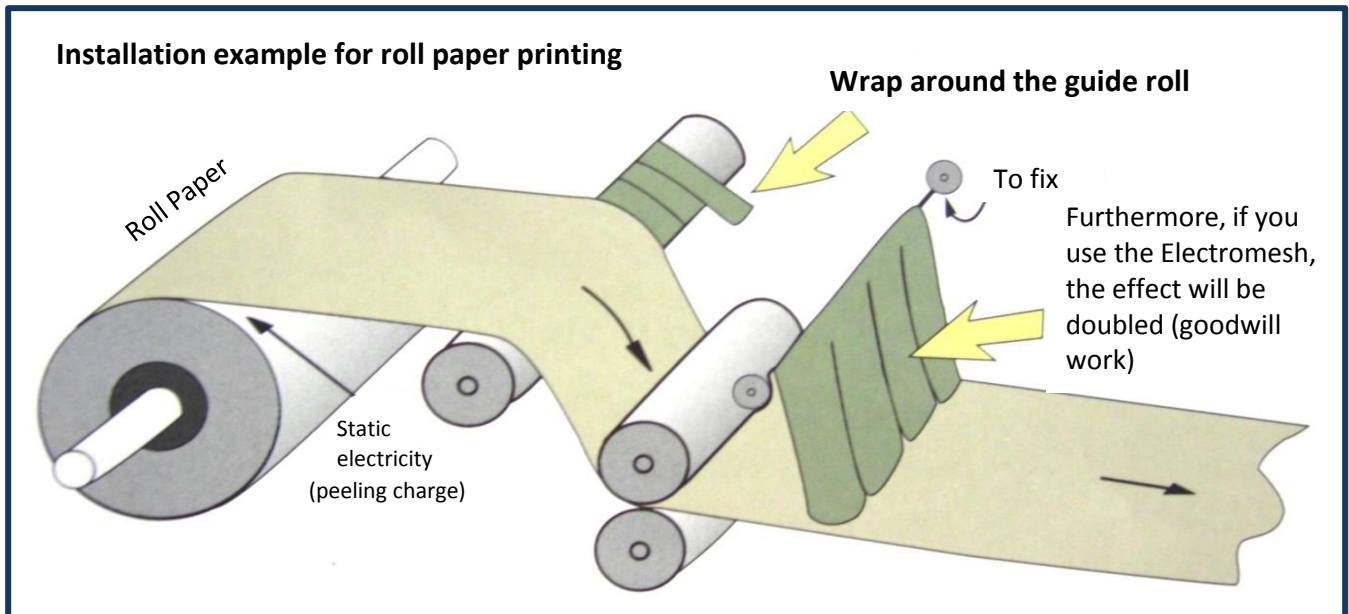
Corona discharge cloth with conductive discharge element made of stainless fiber and synthetic fiber

**Electromesh series that reduces and eliminates various static electricity problems at the manufacturing site**



[Sales unit: Volume 1 (20m long)~]

## Example of Use



### Daihyaku Co.,Ltd.

Tel +81-3-6853-5801 fax +81-3-6985-5804  
104-0061  
2-12-3 Ginza Chuo-ku Tokyo Japan  
URL : <http://www.daihyaku.co.jp/>  
Email : [info@daihyaku.co.jp](mailto:info@daihyaku.co.jp)

### Ask to

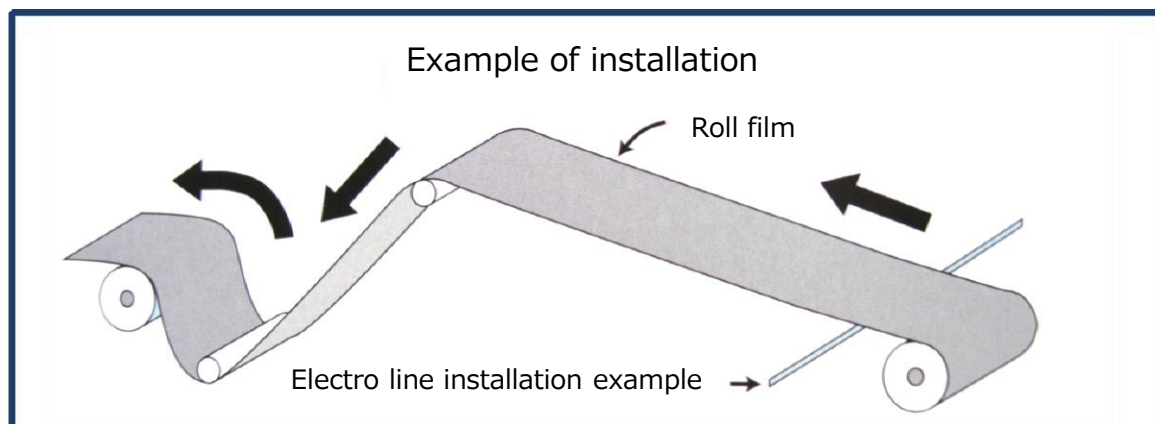
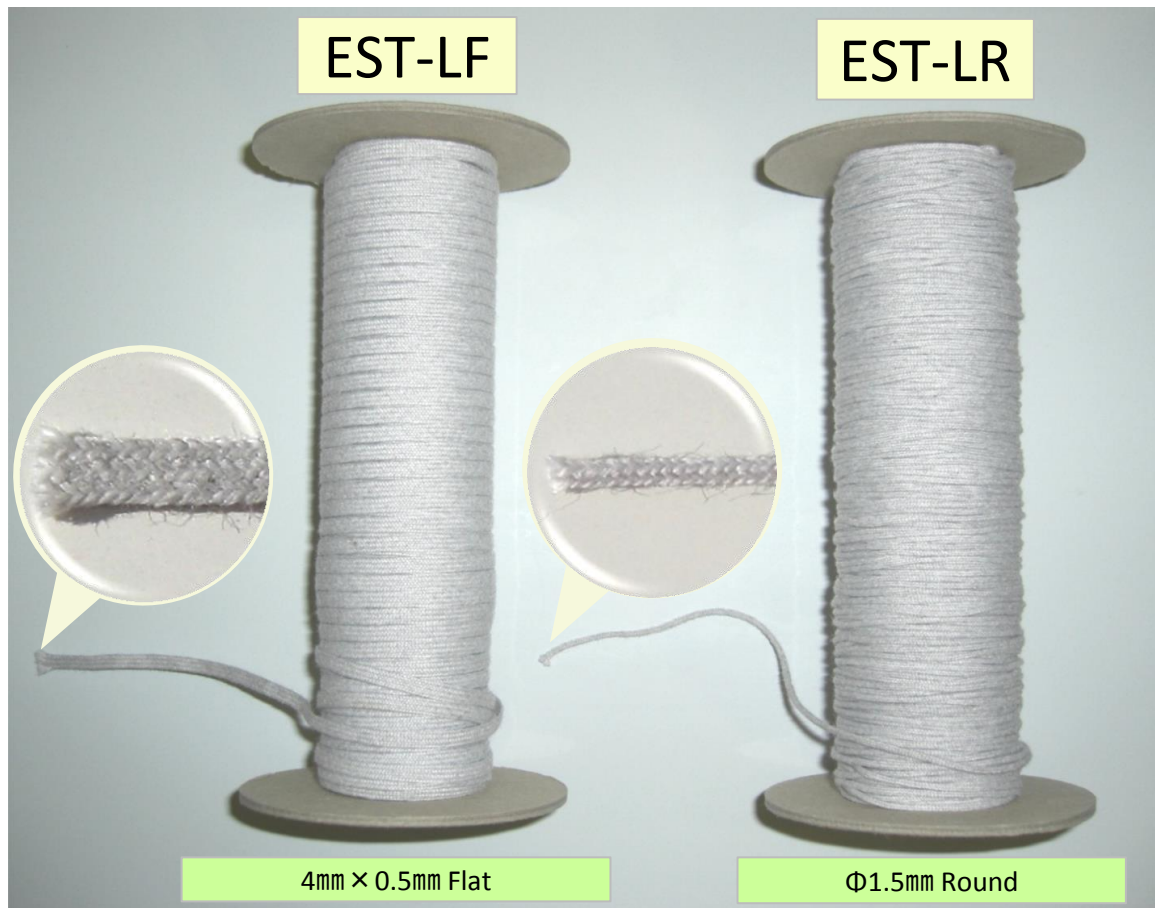
**Note:** The effect of static elimination depends on the material It also depends on the environment.

Static electricity removal / prevention

# Electro Line

Corona discharge cloth with conductive discharge element made of stainless fiber and synthetic fiber

**Eliminates static electricity without contacting charged objects**  
**Easy to install because it is string-shaped**



(Sales unit 10m·50m·100m·500m)

## Daihyaku Co., Ltd.

Tel +81-3-6853-5801 fax +81-3-6985-5804  
104-0061  
2-12-3 Ginza Chuo-ku Tokyo Japan  
URL: <http://www.daihyaku.co.jp/>  
Email: [info@daihyaku.co.jp](mailto:info@daihyaku.co.jp)

## Ask to

**Note: The effect of static elimination depends on the material. It also depends on the environment.**